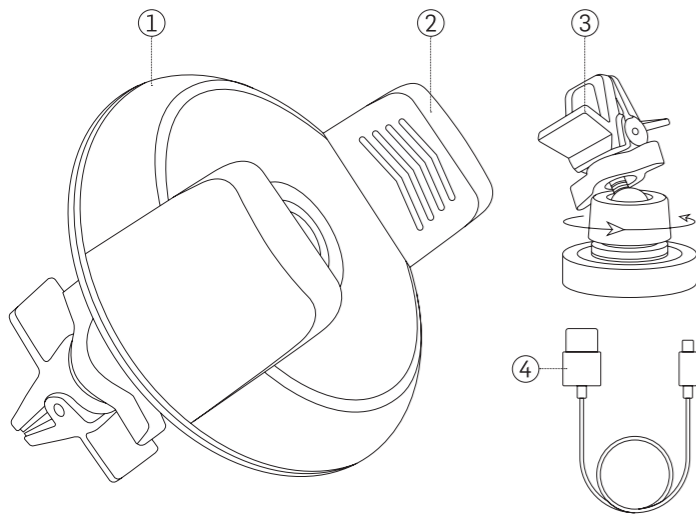


WIRELESS CAR CHARGER

Charge your Qi-enabled device while driving



1. Charge pad
2. Smartphone Mount
3. Adjustable Clip
4. Micro USB cable

Please read through the following instructions before using your new charger.

IMPORTANT SAFETY INFORMATION

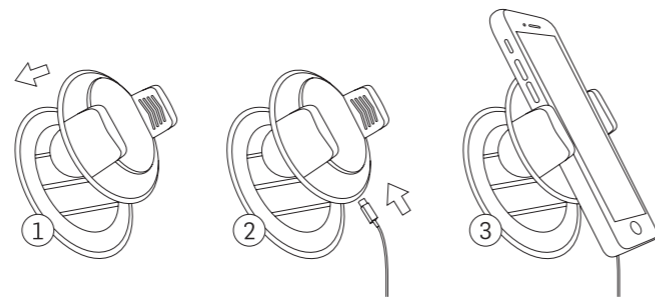
This charger has been designed with the highest concern for safety. However, any improper use of the charger has the potential for property damage or personal injury. To help ensure accident-free use, follow these guidelines:

1. Regularly inspect the charger for any damage.
2. If the charger has been damaged, stop use immediately.
3. Clip charger to a place on your dashboard that does not distract or disrupt your view.

Important Information Before Use:

1. Charger should only be used for the intended purpose according to the instructions.
2. Do not submerge underwater. Do not expose to liquid, smoke, or steam.

How to Use:



1. Clip wireless charger on to a convenient dashboard air vent.
2. Plug the micro USB cable into the charger pad as well as a USB adapter for your vehicle.
Tip: If your car doesn't come equipped with a USB port, a USB cigarette lighter adapter is available.
3. Place your smartphone on the charger pad between the clips.

Suggested uses: By setting up your phone, you can answer calls hands-free and charge your smartphone at the same time.

Compatible Qi-Enabled Smartphones

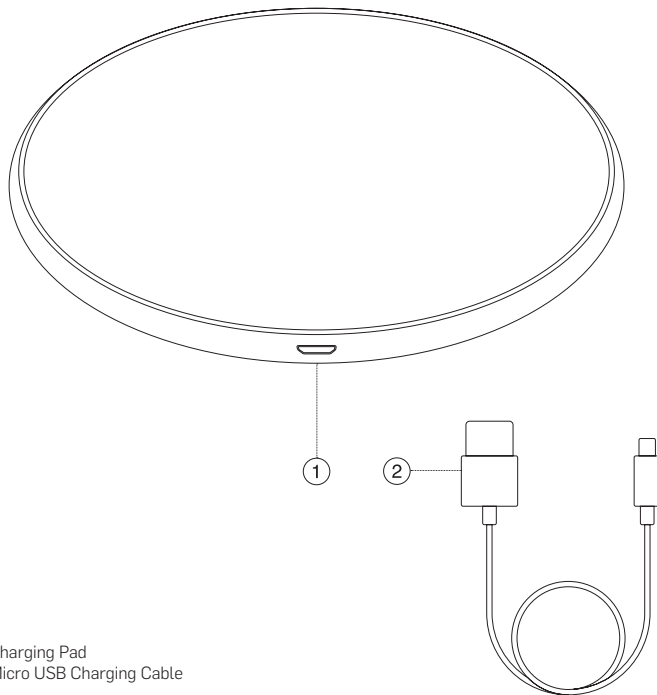
BRAND	SMARTPHONE VERSION
iPhone	8, 8+, X
Asus	PadFone S
Blackberry	Passport, PRIV, Z30
CASIO	G'z One Commando
Caterpillar	Cat S50, Cat S50C
DeWalt	MD501, MIL810G
Energy Sistem	Pro Qi
Fujitsu Arrows	F-09D, Kiss F-03D, Kiss F-03E, X F-10D
Google Nexus	4, 5, 6
HP Elite	X3
HTC	Droid DNA, Windows Phone 8X
Kyocera	Brigadier, DuraForce, Hydro Elite, Torque G02, Torque KC-S701, Urbano L01, Urbano L03
LG	G2, G3, G6, G6 Plus, Lucid 2, Lucid 3, Optimus F5, Optimus G Pro, Optimus it L-05E, Spectrum 2, Vu 2, Vu 3, V30, V30 Plus
MTT	Master 4G
Microsoft Lumia 950	950, Dual Sim, XL, XL Dual Sim
Mlais	MX69W
Motorola	Droid Maxx, Droid Mini, Droid Turbo, Droid Turbo 2, Moto Maxx, Moto X Force
mPhone	8
Nokia Lumia	1520, 735, 830, 920, 928, 929 (Icon), 930
Panasonic Eluga	P P-03E, V P-06D, X P-02E
Philips	X723
Samsung Galaxy	S6, S6 Active, S6 Edge, S6 Edge Plus, S7, S7 Active, S7 Edge, S8, S8 Active, S8 Plus, Note 8
Samsung	Leader 8, W2016
Saygus	V SQUARED
Sharp Aqous	EX SH-04E, SH-07D, SH-13C, Slider SH-02D, Zeta SH-06E, Zeta SH-09D, Q-Pot SH 04D
Sharp	SH-05D
Sony Xperia	Z3V, Z4V
Techdy	Basic Bear, Bear Pro
Vertu	Aster, Signature Touch
YotaPhone	2
ZTE	Telstra Tough Max

Technical Specifications

Product Dimensions	80x70x165mm
Product Weight	200g
Input Voltage	5V-2A
Charging Power	Maximum 5w
Wireless Output	5V1A
Wireless Charging Efficiency	73%
Wireless Charging Distance	Max. distance = 10mm
Overheating Protection	60°C or higher shuts down charger automatically
Over-Current Protection	When current is greater than 1.8 A the charger shuts down automatically.
Material	ABS Plastic

WIRELESS CHARGING PAD

Please read through the following instructions before using your new wireless mobile charger.



1. Charging Pad
2. Micro USB Charging Cable

IMPORTANT SAFETY INFORMATION

The charger has been designed with the highest concern for safety. However, any improper use of the charger has the potential for property damage or personal injury. To help ensure accident-free use, follow these guidelines:

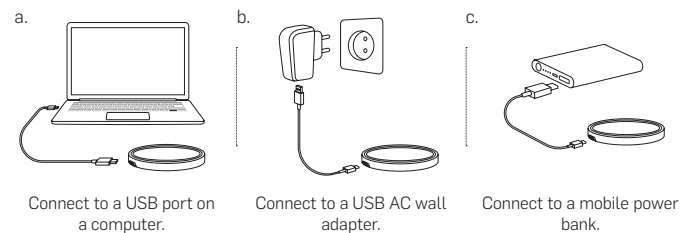
1. Regularly inspect the charger for any damage.
2. If the charger has been damaged, stop use immediately.

Important Information Before Use:

1. Charger should be used for its intended purposes according to the instructions.
2. Do not submerge underwater. Do not expose to liquid, smoke, or steam.

Using your Wireless Charging Pad

1. Connect the micro USB charging cable to the charge pad.
2. There are a few ways to plug and power your charger:



3. Place your phone on the pad to charge.

The Wireless Charging Pad is programmed with LED lights. Each colour is as follows.

Green LED	Ready to Charge
Purple/Blue LED	Charging
Flashing Purple/Blue and Green	Device is not Qi-enabled and requires an adapter

Keep in mind that the Wireless Charging Pad is not a power bank. To charge your device, you will need to have the charging pad plugged into an external power source.

IMPORTANT: Your smartphone must be Qi-enabled in order to charge your phone wirelessly. Qi-enabled technology is another name for wireless or inductive charging.

Qi-Enabled Smartphones

BRAND	SMARTPHONE VERSION
iPhone	8, 8+, X, all later versions
Asus	PadFone S
BlackBerry	Passport, PRIV, Z30
CASIO	G'z One Commando
Caterpillar	Cat S50, Cat S50C
DeWalt	MD501, MIL810G
Energy Sistem	Pro Qi
Fujitsu Arrows	F-09D, Kiss F-03D, Kiss F-03E, X F-10D
Google Nexus	4, 5, 6
HP Elite	X3
HTC	Droid DNA, Windows Phone 8X
Kyocera	Brigadier, DuraForce, Hydro Elite, Torque G02 Torque KC-S701, Urbano L01, Urbano L03
LG	G2, G3, G6, G6 Plus, Lucid 2, Lucid 3, Optimus F5, Optimus G Pro, Optimus it L-05E, Spectrum 2, Vu 3, V30, V30 Plus, and all later models
MTT	Master 4G
Microsoft Lumia 950	950, Dual Sim, XL, XL Dual Sim
Mlais	MX69W
Motorola	Droid Maxx, Droid Mini, Droid Turbo, Droid Turbo 2, Moto Maxx, Moto X Force, Moto Z Series (with mod)
mPhone	8
Nokia Lumia	1520, 735, 830, 920, 928, 929 (Icon), 930, Nokia 8 Sirocco
Panasonic Eluga	P P-03E, V P-06D, X P-02E
Philips	X723
Samsung Galaxy	All gen 6, 7, 8, and 9
Samsung	Leader 8, W2016
Saygus	V SQUARED
Sharp Aqous	EX SH-04E, SH-07D, SH-13C, Slider SH-02D, Zeta SH-06E, Zeta SH-09D, Q-Pot SH 04D
Sharp	SH-05D
Sony XPeria	Z3V, Z4V, XZ2, XZ2 Premium
Techdy	Basic Bear, Bear Pro
Vertu	Aster, Signature Touch
YotaPhone	2
ZTE	Telstra Tough Max

Will Need Adapter:

- iPhone 6, 6S, 7
- iPad mini, iPad Pro, iPad2017/2018
- Any Android phone with micro USB charging cable
- Any Android phone with type C charging cable (2017-2018)

Most smartphones from 2018 and earlier will work with an adapter.

Most smartphones from 2019 and later will work without an adapter.

Any iPhone earlier than iPhone 6, or any phone not listed, will not work with or without the adapter.

Technical Specifications

Product Dimensions	ø 100mm x 7mm
Product Weight	45g
Input	5.0V ⚡ 2A
Output	5.0V ⚡ 1A
Wireless distance	<10mm
Components	Charging Pad, Micro USB Charging Cable
Material	ABS Plastic

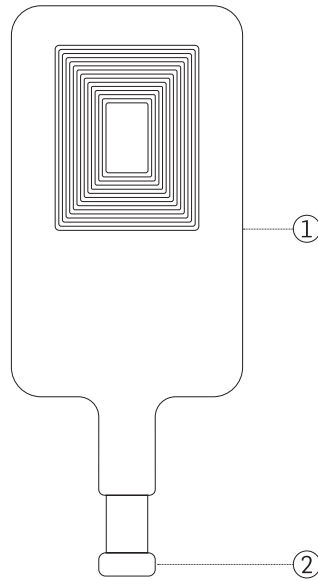
CE The device complies with the European Directives 2014/30/EU.

At the end of its service life, this product may not be disposed of in the normal household waste, but rather must be disposed of at a collection point for recycling electrical and electronic devices. The materials are recyclable according to their labelling. You make an important contribution to protecting our environment by reusing, recycling, or utilizing old devices in other ways. Please ask the municipal administration where the appropriate disposal facility is located.

Subject to change.

WIRELESS CHARGING ADAPTER

Transform Your Phone for Wireless Charging



1. Induction Charging Pad
2. Power Adapter

IMPORTANT SAFETY INFORMATION

The charging adapter has been designed with the highest concern for safety. However, any improper use of the adapters has the potential for property damage. To help ensure accident-free use, follow these guidelines:

1. Regularly inspect the adapter pad for damage.
2. If the adapter has been damaged, stop use immediately.

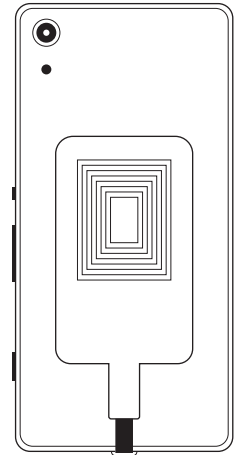
Important Information Before Use:

1. Adapter should only be used for the intended purpose according to the instructions.
2. Do not submerge underwater. Do not expose to liquid, smoke, or steam.
3. Do not remove the adapter from your phone by pulling on the induction charging pad.

How to Use

1. Insert the wireless charging adapter into your mobile phone charging port.
2. Stick or fix the adapter on the back of your phone or place it inside the phone case.
3. Place phone on the wireless charger and enjoy the convenience of wireless charging.

Tip: You can still place your phone case over the induction charging pad.



Technical Specifications

Product Dimensions	4 x 9.5 cm
Product Weight	6g
Charging Efficiency	>70%

CE The device complies with the European Directives 2014/30/EU

♻️ At the end of its service life, this product may not be disposed of in the normal household waste, but rather must be disposed of at a collection point for recycling electrical and electronic devices. The materials are recyclable according to their labelling. You make an important contribution to protecting our environment by reusing, recycling, or utilizing old devices in other ways. Please ask the municipal administration where the appropriate disposal facility is located.

Subject to change.